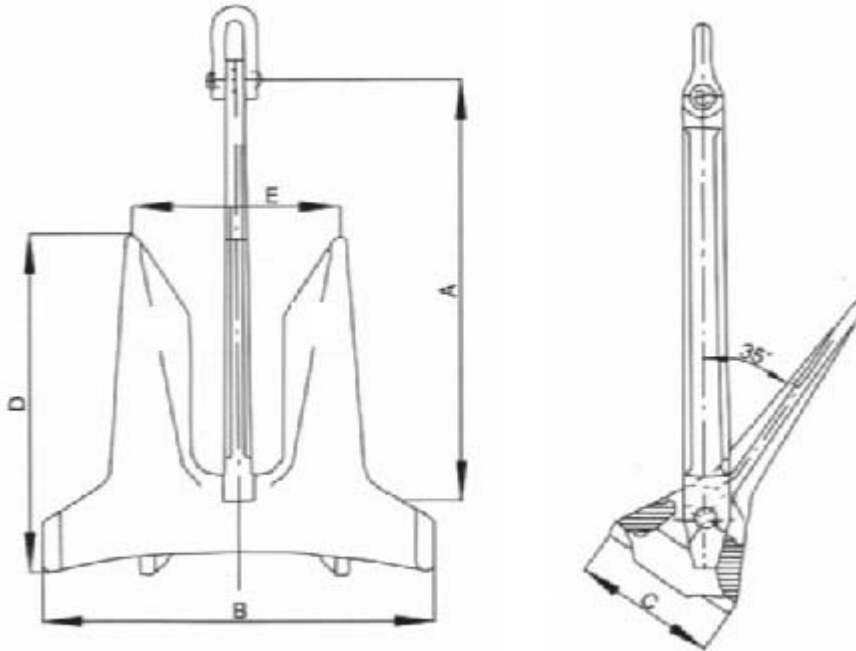


HIGH HOLDING POWER ANCHOR TYPE "AC-14"

Approx. Weights and Dimensions



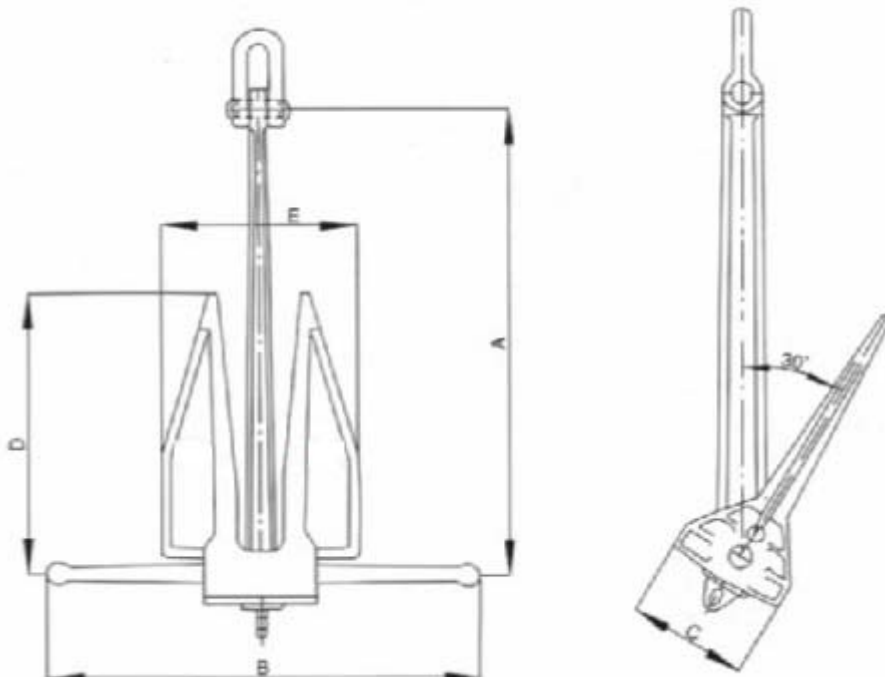
Weight kgs	Dimensions mm				
	A	B	C	D	E
20	450	412	134	382	220
112	930	852	278	786	456
180	1070	980	310	895	520
225	1140	1045	340	965	560
270	1250	1115	360	1025	600
300	1250	1140	372	1053	610
341	1290	1180	385	1090	630
487	1430	1310	425	1210	700
500	1295	1184	386	1052	633
525	1470	1345	440	1242	720
590	1515	1385	450	1280	740
675	1575	1445	470	1335	775
750	1483	1356	442	1204	725
765	1483	1356	448	1204	725
900	1720	1575	515	1455	840
970	1720	1575	515	1455	840
1080	1810	1660	540	1530	885
1180	1855	1700	553	1565	910
1305	1855	1700	565	1565	910
1440	1940	1778	533	1563	952
1575	2015	1845	600	1705	985
1575	2015	1701	600	1705	985
1710	2015	1890	615	1745	1010
1845	2095	1920	630	1775	1025
1980	2155	1970	645	1820	1055
2100	2100	1920	630	1710	1030
2295	2300	1920	630	1860	1020
2475	2300	2107	687	1945	1127
2655	2300	2107	687	1945	1127
2794	2388	2185	711	2016	1168
3550	2560	2345	765	2165	1255
3670	2560	2345	765	2165	1255
3940	2586	2366	771	2185	1266

4500	2685	2460	800	2270	1315
4840	2775	2535	830	2260	1360
5175	2860	2615	850	2415	1400
5510	2925	2615	850	2415	1400
6525	3060	2800	912	2580	1498
8775	3340	3060	995	2820	1635
9945	3500	3210	1050	2858	1720
10575	3500	3210	1050	2975	1720
10900	3600	3210	1052	2858	1720
12075	3660	3350	1090	3095	1795
14000	3800	3400	1260	2915	1910
14000	3880	3480	1135	3230	1670
15000	3600	3400	1270	2915	1910
15000	3880	3400	1270	2915	1910
15000	3950	3470	1270	3265	1900
15725	3950	3470	1260	3265	1900
17250	4060	3715	1210	3430	1990
18275	4200	3855	1255	3560	2065
19550	4200	3855	1255	3560	2065
21750	4345	3975	1295	3670	2125
28000	4560	4170	1360	3850	2230
30000	4200	4170	1360	3850	2230

The measurements may vary between different factories. SEACAT-Schmeding can not be hold responsible for any deviate between this table and delivered equipment.

HIGH HOLDING POWER ANCHOR TYPE "DANFORTH"

Approx. Weights and Dimensions



Weight

Dimensions mm

kg	A	B	C	D	E
135	1350	1130	275	820	560
225	1600	1340	325	975	665
340	1720	1480	370	1000	720
455	1830	1580	410	1100	760
680	1955	1690	475	1180	815
910	2100	1820	525	1275	900
1135	2260	2140	560	1350	930
1360	2390	2260	595	1440	990
1820	2640	2550	660	1590	1050
2270	2780	2700	710	1650	1170
2730	2960	2810	750	1780	1200
3180	3120	2960	790	1880	1260
3635	3260	3090	825	1960	1320
4080	3380	3210	860	2040	1370
4540	3510	3330	890	2100	1420
5545	3730	3540	945	2240	1510
6350	3920	3720	995	2360	1590
7260	4100	4000	1040	2470	1660
8165	4270	4080	1080	2560	1730
9075	4570	4150	1110	2620	1770
11345	4710	4470	1195	2820	1910
13610	5000	4750	1270	3000	2025

The measurements may vary between different factories. SEACAT-Schmeding can not be hold responsible for any deviate between this table and delivered equipment.