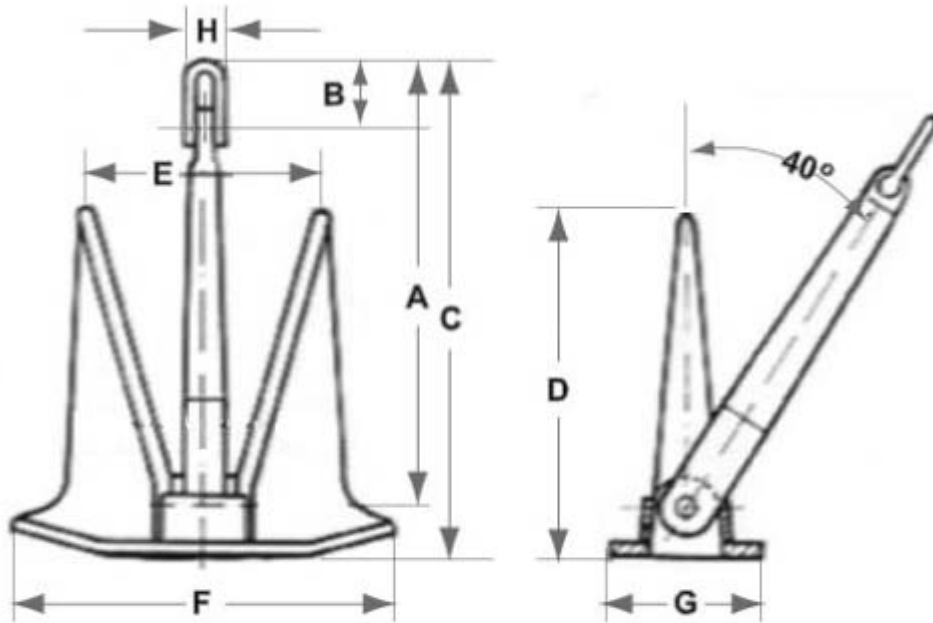


## HIGH HOLDING POWER ANCHOR TYPE "D`HONE"

Approx. Weights and Dimensions



Weight kgs	Dimensions mm							
	A	B	C	D	E	F	G	H
500	1190	215	1565	1020	675	1150	430	150
550	1230	215	1605	1050	695	1185	440	150
600	1265	215	1645	1080	715	1220	455	150
650	1300	235	1705	1110	730	1255	470	170
700	1335	235	1745	1140	750	1290	480	170
750	1365	235	1785	1165	770	1320	490	170
800	1390	235	1815	1190	785	1345	500	170
850	1420	270	1880	1215	800	1375	510	185
900	1445	270	1910	1235	815	1395	520	185
950	1475	270	1940	1260	830	1425	530	185
1000	1500	270	1970	1280	845	1450	540	185
1100	1545	305	2055	1320	870	1490	555	205
1200	1590	305	2105	1360	900	1540	570	205
1300	1640	305	2155	1400	925	1585	590	205
1400	1680	305	2205	1435	945	1620	605	205
1500	1720	305	2255	1470	970	1660	620	205
1600	1755	325	2315	1500	990	1700	630	225
1700	1790	325	2355	1530	1010	1730	645	225
1800	1825	325	2395	1560	1030	1765	655	225

1900	1855	325	2425	1585	1050	1790	665	225
2000	1890	325	2465	1615	1065	1825	680	225
2200	1950	360	2570	1665	1090	1880	700	250
2400	2010	360	2630	1715	1130	1940	720	250
2600	2060	360	2690	1760	1160	1990	740	250
2800	2120	360	2760	1810	1190	2050	760	250
3000	2170	360	2810	1850	1220	2090	780	250

The measurements may vary between different factories. SEACAT-Schmeding can not be hold responsible for any deviate between thi stable and delivered equipment.