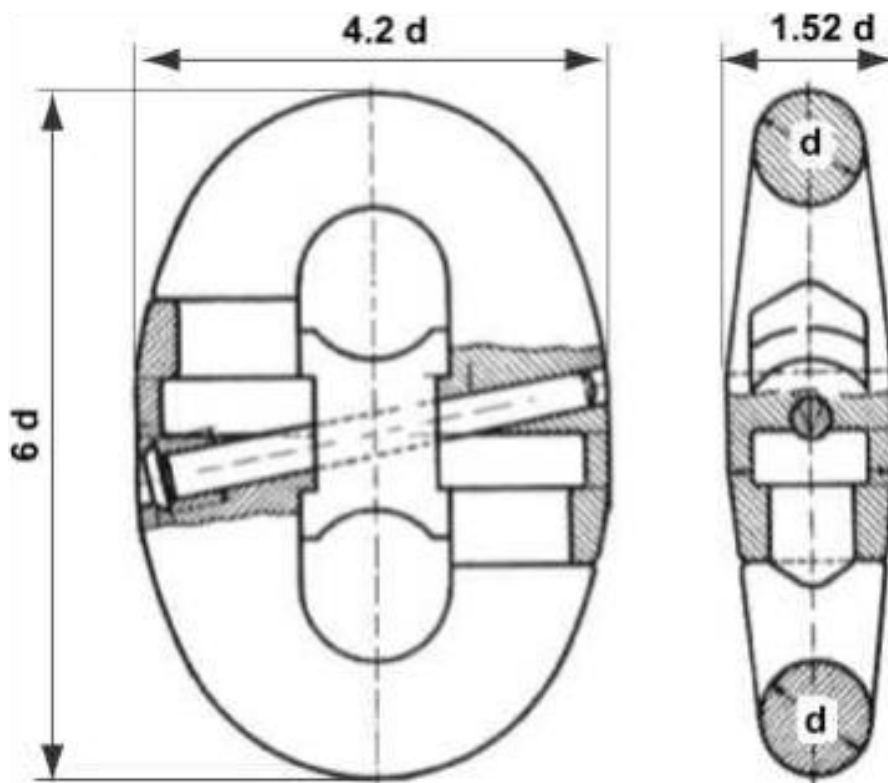


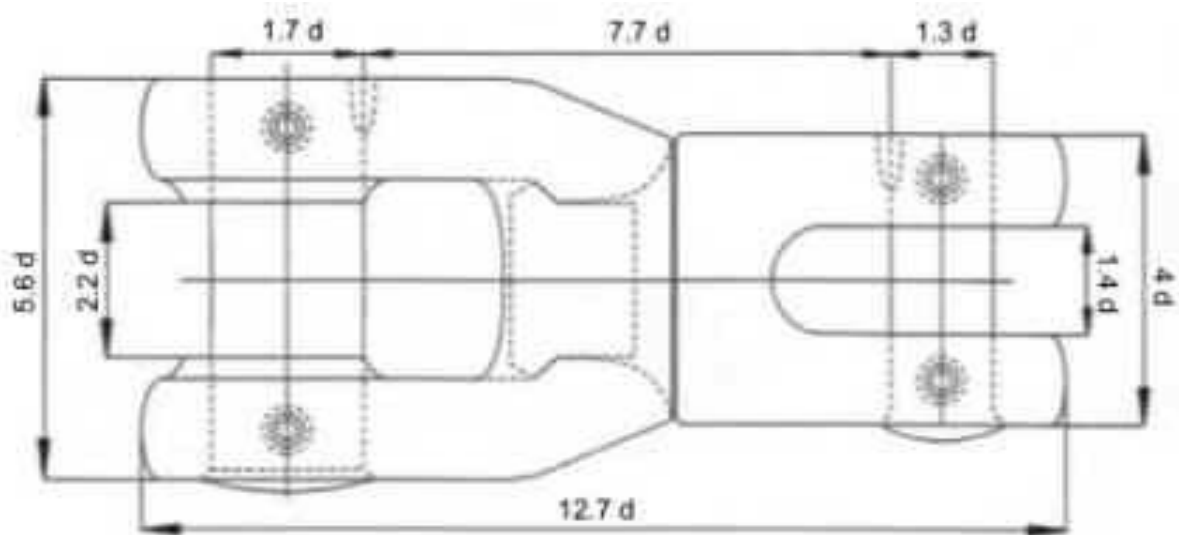
JOINING – SCHAKLE
TYPE "KENTER"



d = normal chain diameter

SWIVEL – SCHAKLE
TYPE "ASV"

"Super – Box Swivel"



d = normal chain diameter